



---

# MODEL CFC BOILERS

## 500-3300 MBTU

### *Dimensions and Ratings*



Figure 1a. Model CFC Dimensions (sheet 1 of 2)

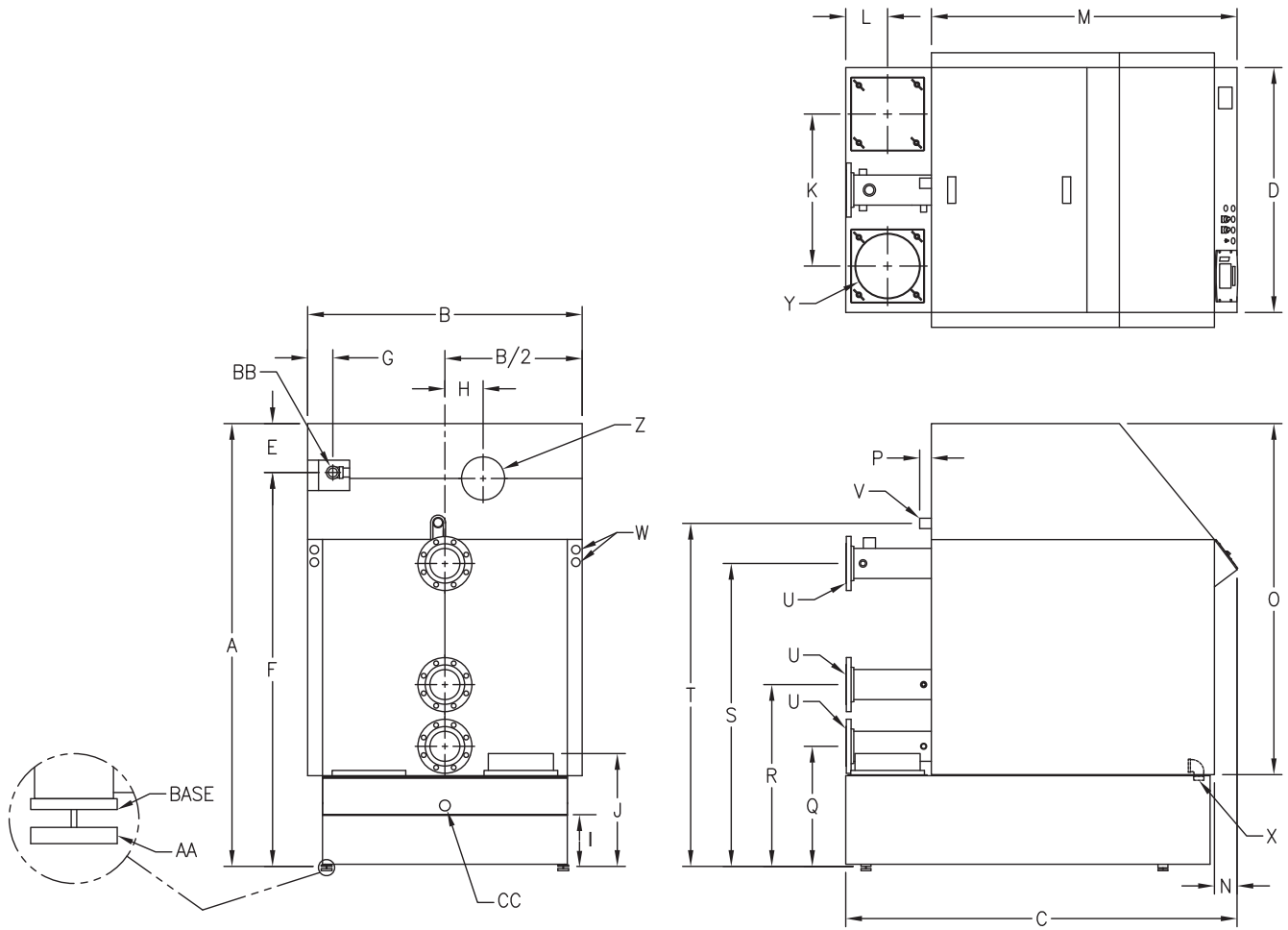


Figure 1b. Model CFC Dimensions (sheet 2 of 2)

ITEM	DIMENSIONS (inches)	500	750	1000	1500	1800	2500	3300
A	Overall Height	71.8	71.8	75.7	81.6	81.6	82.2	85.0
B	Overall Width	32.3	32.3	36.6	43.7	43.7	50.8	61.3
C	Overall Depth	48.8	48.8	62.6	65.6	65.6	72.6	86.3
D	Width Less Casing	26.8	26.8	31.1	38.2	38.2	45.3	55.5
E	Gas Connection to Top of Casing	8.1	8.1	9.5	12.5	10.2	9.4	10.0
F	Gas Connection to Floor	63.7	63.7	66.2	69.1	71.4	72.8	75.0
G	Side of Casing to Gas Connection	2.3	2.3	4.3	3.4	5.2	4.7	5.1
H	Boiler Centerline to Air Inlet Centerline	4.0	4.0	4.0	4.9	7.1	7.1	7.1
I	Floor to Bottom of Base	10.3	10.3	10.3	10.3	10.3	10.3	10.3
J	Floor to Top of Stack Connection	18.6	18.6	18.1	19.1	19.1	20.9	21.4
K	Centerline to Centerline of Stack Stub	15.4	15.4	16.9	21.0	21.0	28.1	35.8
L	Rear of Boiler to Centerline of Stack Stub	5.4	5.4	7.5	8.1	8.1	8.6	10.0
M	Front of Boiler to Rear of Casing	38.8	38.8	49.4	49.5	49.5	56.5	67.0
N	Control Panel Projection	4.1	4.1	4.1	4.1	4.1	4.1	4.3
O	Casing Height	56.2	56.2	60.0	65.4	65.4	65.4	67.0
P	Air Vent Line Projection from Rear of Casing	7.8	7.8	7.3	8.1	8.1	8.7	4.7
Q	Floor to Centerline of Lower Return	19.5	19.5	19.6	21.11	21.3	22.4	24.1
R	Floor to Centerline of Upper Return	28.2	28.7	30.5	30.95	32.3	33.8	35.5
S	Floor to Centerline of Supply Connection	54.3	54.3	56.2	57.1	56.2	56.2	59.1
T	Floor to Centerline of Air Vent	59.9	59.9	62.3	63.1	63.1	63.6	66.4
AA	Boiler Adjustment Foot Height	2.5	2.5	2.5	2.5	2.5	2.5	2.5
	Height Above Boiler for Burner Service	14.0	14.0	14.0	14.0	14.0	14.0	18.0
CONNECTIONS								
U	Water Supply/Return, 150# RF Flg	2-1/2"	2-1/2"	2-1/2"	3"	4"	5"	5"
V	Boiler Air Vent, NPT	1-1/2"	1-1/2"	1-1/2"	1-1/2"	1-1/2"	1-1/2"	1-1/2"
W	Electrical Conduit, left or right	1.6"	1.6"	1.6"	1.6"	1.6"	1.6"	1.6"
X	Boiler Drain, NPT	1-1/2"	1-1/2"	1-1/2"	1-1/2"	1-1/2"	1-1/2"	1-1/2"
Y	Flue Gas Nominal OD, Left or Right option	6"	6"	8"	10"	12"	12"	12"
Z	Combustion Air Option	4" OR 6"	4" OR 6"	4" OR 6"	6" OR 8"	6" OR 8"	8"	8"
BB	Gas Connection, NPT	1"	1"	1"	1-1/2"	1-1/2"	1-1/2"	2"
CC	Condensate Drain, FPT	3/4"	3/4"	3/4"	3/4"	3/4"	1"	1"
	Relief Valve outlet @ 125 # Setting	1"	1"	1"	1"	1"	1"	1"
	Voltage Fan Motor	115/1/60	115/1/60	115/1/60	115/1/60	115/1/60	115/1/60	208-240/ 3/60
	Voltage Control Circuit	115/1/60	115/1/60	115/1/60	115/1/60	115/1/60	115/1/60	115/1/60

Figure 2. Model CFC Boiler Ratings (Sea Level to 2000 Feet)

Description	Units	Boiler Size						
		500	750	1000	1500	1800	2500	3300
Input Max.	BTU/Hr.	500,000	750,000	1,000,000	1,500,000	1,800,000	2,500,000	3,300,000
Natural Gas (1000 Btu/ft3)	FT3/Hr	500	750	1000	1500	1800	2500	3300
Propane (2500 Btu/ft3)	FT3/Hr	200	300	400	600	720	1000	1320
Output at 104/86 F 100% Firing	BTU/Hr.	480,000	720,000	960,000	1,440,000	1,728,000	2,400,000	3,168,000
	BHP	14.3	21.5	28.7	43.0	51.6	71.7	94.6
	KW	141	211	281	422	506	703	928
Output at 176/140F 100% Firing	BTU/Hr.	435,000	652,500	870,000	1,305,000	1,566,000	2,175,000	2,871,000
	BHP	13.0	19.5	26.0	39.0	46.8	65.0	85.8
	KW	127	191	255	382	459	637	841
MAWP	PSI	125	125	125	125	125	125	125
Operating Temp., Max.	°F	194	194	194	194	194	194	194
Water Content	Gallons	51	51	90	113	99	126	209
Weight w/o Water (Shipping)	Pounds	1,160	1,160	1,795	2,225	2,505	3,640	4,835
Operating Weight	Pounds	1,585	1,585	2,545	3,165	3,325	4,685	6,570
Standby Heat Loss	BTU/Hr	1,206	1,639	1,912	2,459	2,561	3,415	4,620
	Watts	353	480	560	720	750	1000	1353
Fan Motor Size	Watts	335	335	335	750	1,200	1,200	2,200
Operating Voltage, Fan	Volts/Ph/Hz	115/1/60	115/1/60	115/1/60	115/1/60	115/1/60	115/1/60	208-240/3/60
Control Circuit	Volts/Ph/Hz	115/1/60	115/1/60	115/1/60	115/1/60	115/1/60	115/1/60	115/1/60
Current Draw, Fan	Amperes	4	4	4	8.5	12	12	6.9
Current Draw Cont. Ckt.	Amperes	1.5	1.5	1.5	1.5	2	2	2.3
Condensate Quantity Firing Nat. Gas & operating @ 104/86 F.	Gal/Hr.	4	5	6.5	10	12	16.5	22
Condensate Value	PH	4.5 - 5.5	4.5 - 5.5	4.5 - 5.5	4.5 - 5.5	4.5 - 5.5	4.5 - 5.5	4.5 - 5.5
Flue Gas Mass Flow @ 100% Firing (Natural Gas)	lb/hr	557	835	1,113	1,670	2,004	2,783	3674
Flue Gas Temp. Oper.176/140 F	°F	155	180	160	170	170	160	160
Flue Gas Temp. Oper.104/86 F	°F	105	125	110	108	108	110	110