

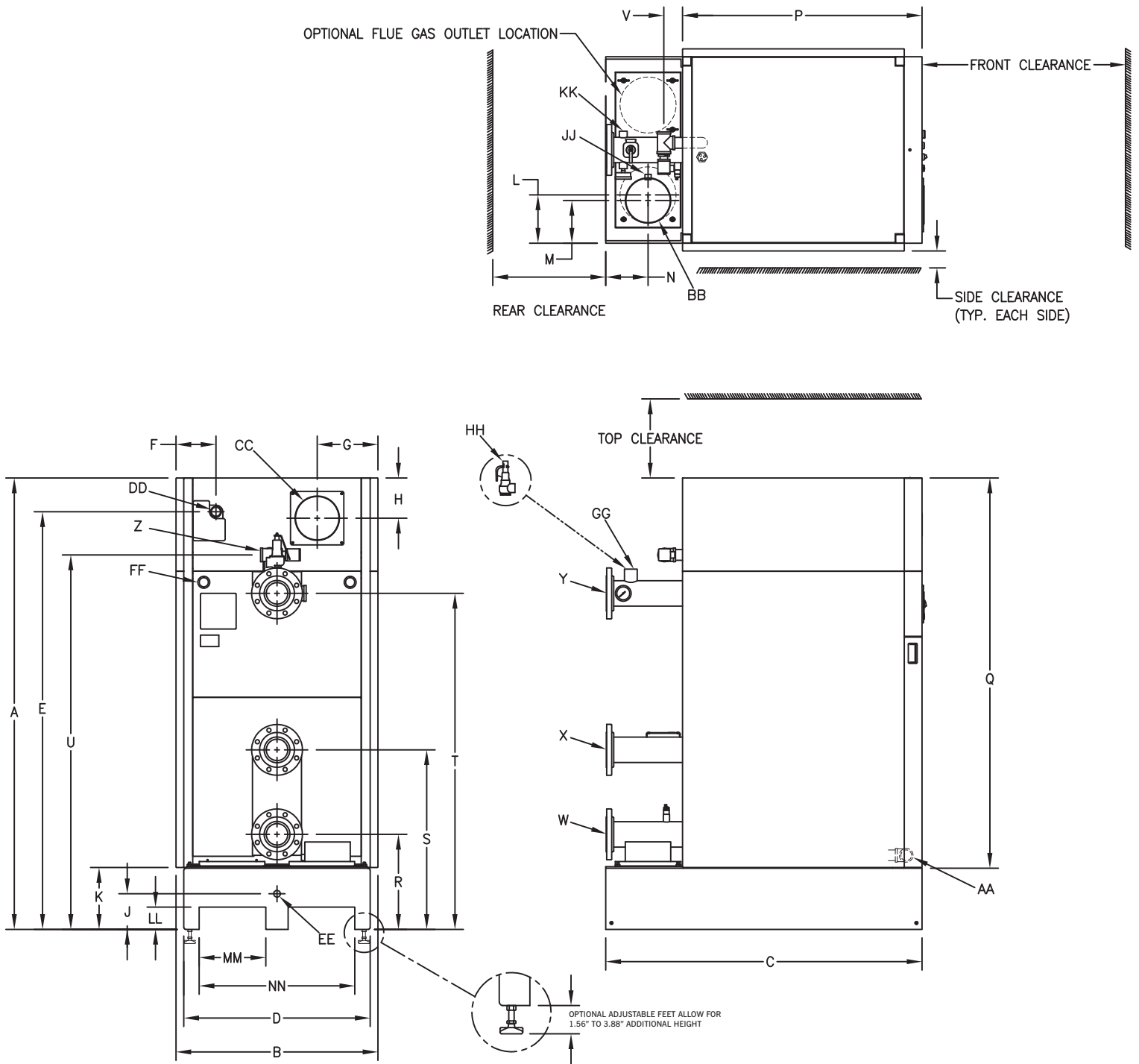
# MODEL CFC-E BOILERS

## 500-2000 MBTU



### *Dimensions and Ratings*

Dimension Diagram CFC-E



Dimensions Model CFC-E

ITEM	DIMENSIONS (inches)	500	750	1000	1500	2000
A	Overall Height	78.0	78.0	78.0	79.9	79.9
B	Overall Width	34.9	34.9	34.9	35.8	35.8
C	Overall Depth	49.4	49.4	49.4	56	56
D	Width Less Casing	32.1	32.1	32.1	33.0	33.0
E	Gas Connection to Floor	70.3	70.3	70.3	73.9	73.9
F	Side of Casing to Gas Connection	3.7	3.7	3.7	7.1	7.1
G	Side of Casing to Air Inlet	10.8	10.8	10.8	10.8	10.8
H	Top of Casing to Air Inlet	7.7	7.7	7.7	7.1	7.1
J	Floor to Condensate Drain	6.3	6.3	6.3	6.3	6.3
K	Floor to Bottom of Casing	11.0	11.0	11.0	11.0	11.0
L	Side of Base to Flue Outlet (Centered)	7.4	7.4	7.4	8.5	8.5
M	Side of Base to Flue Outlet (Offset)	6.4	6.4	6.4	7.5	7.5
N	Rear of Base to Flue Outlet	6.5	6.5	6.5	7.5	7.5
P	Casing Depth	36.3	36.3	36.3	42.4	42.4
Q	Casing Height	67.0	67.0	67.0	68.9	68.9
R	Floor to Lower Return Connection	16.8	16.8	16.8	16.8	16.8
S	Floor to Upper Return Connection	31.8	31.8	31.8	31.8	31.8
T	Floor to Supply Connection	59.5	59.5	59.5	59.5	59.5
U	Floor to Air vent Connection	66.3	66.3	66.3	66.3	66.3
V	Air Vent Line Projection From Rear of Casing	3.2	3.2	3.2	3.3	3.3

CONNECTIONS

W	Water Low Temp. Return, Class150 RF Flange	2-1/2"	2-1/2"	2-1/2"	4"	4"
X	Water High Temp. Return, Class150 RF Flange	2-1/2"	2-1/2"	2-1/2"	4"	4"
Y	Water Outlet, Class150 RF Flange	2-1/2"	2-1/2"	2-1/2"	4"	4"
Z	Air Vent, NPT	1-1/2"	1-1/2"	1-1/2"	1-1/2"	1-1/2"
AA	Vessel Drain, NPT	1-1/2"	1-1/2"	1-1/2"	1-1/2"	1-1/2"
BB	Flue Gas Outlet					
	(Standard) - Nominal	6"	6"	8"	8"	8"
	(Option) - Nominal	8"	8"	6"	10"	10"
CC	Combustion Air - Nominal	6"	6"	6"	8"	8"
DD	Gas, NPT	1"	1"	1"	1-1/2"	1-1/2"
EE	Condensate Drain, NPT	1"	1"	1"	1"	1"
FF	Electrical Opening, Left or Right	1.6"	1.6"	1.6"	1.6"	1.6"
GG	Safety Relief Valve Vessel Connection, NPT	1-1/4"	1-1/4"	1-1/4"	1-1/4"	1-1/4"
HH	Safety Relief Valve					
	30 psig Inlet x Outlet, NPT	1" x 1-1/4"	1" x 1-1/4"	1" x 1-1/4"	1" x 1-1/4"	1-1/4" x 1-1/2"
	50 psig Inlet x Outlet, NPT	3/4" x 1"	3/4" x 1"	3/4" x 1"	3/4" x 1"	1" x 1-1/4"
	60 psig Inlet x Outlet, NPT	3/4" x 1"	3/4" x 1"	3/4" x 1"	3/4" x 1"	1" x 1-1/4"
	75 psig Inlet x Outlet, NPT	3/4" x 1"	3/4" x 1"	3/4" x 1"	3/4" x 1"	3/4" x 1"
	80 psig Inlet x Outlet, NPT	3/4" x 1"	3/4" x 1"	3/4" x 1"	3/4" x 1"	3/4" x 1"
	100 psig Inlet x Outlet, NPT	3/4" x 1"	3/4" x 1"	3/4" x 1"	3/4" x 1"	3/4" x 1"
	125 psig Inlet x Outlet, NPT	3/4" x 1"	3/4" x 1"	3/4" x 1"	3/4" x 1"	3/4" x 1"
JJ	Flue Coupling, NPT	3/4"	3/4"	3/4"	3/4"	3/4"
KK	Water Outlet Coupling, NPT	1-1/4"	1-1/4"	1-1/4"	1-1/4"	1-1/4"

FORK POCKETS (inches)

LL	Pocket Height	3.9	3.9	3.9	3.9	3.9
MM	Pocket Width	11.8	11.8	11.8	11.8	11.8
NN	Overall Pocket Width	27.6	27.6	27.6	27.6	27.6

WEIGHTS

	Dry Weight (lb)	1298	1298	1396	1861	2041
	Shipping Weight (lb)	1413	1413	1511	1986	2166
	Operating Weight (lb)	2065	2065	2113	2778	2858
	Water Volume (gallon)	92	92	86	110	98

CLEARANCES

Top	14"
Side	3"
Rear	20"
Front	36"

Notes:

- Boiler rear must be accessible for servicing.
- Side clearance to wall or between boilers.
- Side clearance typical each side.

**Dimensions (metric) Model CFC-E**

ITEM	DIMENSIONS (mm)	500	750	1000	1500	2000
A	Overall Height	1982	1982	1982	2028	2028
B	Overall Width	886	886	886	908	908
C	Overall Depth	1255	1255	1255	1422	1422
D	Width Less Casing	816	816	816	838	838
E	Gas Connection to Floor	1786	1786	1786	1877	1877
F	Side of Casing to Gas Connection	95	95	95	180	180
G	Side of Casing to Air Inlet	275	275	275	273	273
H	Top of Casing to Air Inlet	196	196	196	180	180
J	Floor to Condensate Drain	160	160	160	160	160
K	Floor to Bottom of Casing	279	279	279	279	279
L	Side of Base to Flue Outlet	189	189	189	217	217
M	Side of Base to Flue Outlet (Offset)	164	164	164	192	192
N	Rear of Base to Flue Outlet	165	165	165	190	190
P	Casing Depth	921	921	921	1077	1077
Q	Casing Height	1703	1703	1703	1749	1749
R	Floor to Lower Return Connection	428	428	428	428	428
S	Floor to Upper Return Connection	808	808	808	808	808
T	Floor to Supply Connection	1511	1511	1511	1511	1511
U	Floor to Air vent Connection	1683	1683	1683	1683	1683
V	Air Vent Line Projection From Rear of Casing	81	81	81	84	84

**FORK POCKETS (inches)**

LL	Pocket Height	100	100	100	100	100
MM	Pocket Width	300	300	300	300	300
NN	Overall Pocket Width	700	700	700	700	700

**WEIGHTS**

	Dry Weight (kg)	589	589	633	844	926
	Shipping Weight (kg)	641	641	686	901	983
	Operating Weight (kg)	939	939	969	1260	1280
	Water Volume (liter)	350	350	324	416	370

**CLEARANCES (mm)**

Top	356
Side	76
Rear	508
Front	914

## Notes:

- Boiler rear must be accessible for servicing.
- Side clearance to wall or between boilers.
- Side clearance typical each side.

## Boiler Ratings

Description	Units	Boiler Size				
		500	750	1000	1500	2000
Input Max.	Btu/Hr	500,000	750,000	1,000,000	1,500,000	2,000,000
	KCal/Hr	126,000	189,000	252,000	378,000	504,000
Natural Gas	Ft <sup>3</sup> /Hr	500	750	1000	1500	2000
Propane	Ft <sup>3</sup> /Hr	200	300	400	600	800
Natural Gas	M <sup>3</sup> /Hr	14	21	28	42	57
Propane	M <sup>3</sup> /Hr	5.7	8.5	11	17	23
Output at 120/80 F [49/27 C] 100% Firing	Btu/Hr	470,000	705,000	940,000	1,410,000	1,880,000
	KCal/Hr	118,440	177,660	236,880	355,320	473,760
	BHP	14	21	28	42	56
	KW	138	207	275	413	551
Output at 180/140 F [82/60 C] 100% Firing	Btu/Hr	440,000	660,000	880,000	1,320,000	1,760,000
	KCal/Hr	110,880	166,320	221,760	332,640	443,520
	BHP	13	20	26	39	53
	KW	129	193	258	387	516
MAWP	psi	125	125	125	125	125
	Bar	8.6	8.6	8.6	8.6	8.6
MAWT	°F	210	210	210	210	210
	°C	99	99	99	99	99
Water Content	Gallons	92	92	86	110	98
	Liters	350	350	324	416	370
Weight w/o Water	Pounds	1,298	1,298	1,396	1,861	2,041
	Kg	589	589	633	844	926
Standby Heat Loss	Btu/Hr	1000	1500	2000	3000	4000
	Watts	293	440	586	879	1172
ECM Blower Motor Size	Watts	335	335	335	1,700	1,700
Operating Voltage, Blower	Volts/Ph/Hz	115/1/60	115/1/60	115/1/60	115/1/60	115/1/60
Control Circuit	Volts/Ph/Hz	115/1/60	115/1/60	115/1/60	115/1/60	115/1/60
Max Current Draw, Blower	Amperes	4	4	4	13.5	13.5
Max Current Draw Cont. Circuit	Amperes	1.5	1.5	1.5	2	2
Max Over Current Protection	Amperes	20	20	20	20	20
Condensate Qty Firing Nat. Gas & operating @ 120/80 F.	Gal/Hr	3.5	5	6.5	10	13
Flue Gas Mass Flow @ 100% Firing	lb/hr	557	835	1,113	1,670	2,226
	kg/hr	252	379	505	758	1010