

ITEM	DESCRIPTION/MATERIAL
1	STEAM OUTLET – 2.0 NPS
2	VALVE, SAFETY, SET @ 15 PSI (Shipped Loose)
3	LOW WATER CUTOFF – McD&M 42
4	SIGHT GAUGE BLOWDOWN – 0.25 NPS
5	FEEDWATER – GLOBE VALVE 0.5 NPS
6	FEEDWATER – SWING & CHECK VALVE 0.5 NPS
7	PRESSURE CONTROL – OPERATING
8	PRESSURE CONTROL – HIGH LIMIT
9	BLOWDOWN DRAIN VALVE – 0.75 NPS
10	SCR CONTROL – 94kW
11	STEP LIGHTS
12	STEP SWITCHES
13	ELEMENT ACCESS PANEL
14	POWER/PILOT SWITCH
15	CONTROL PANEL
16	PRESSURE GAUGE
17	ALARM WITH SILENCING FUNCTION
18	AUXILIARY LOW WATER CUTOFF – McD&M 63B
19	DIGITAL METER
20	TOGGLE SWITCHES
21	PRESSURE CONTROL – MODULATING
22	SURFACE BLOWOFF (WITH COLLECTOR PIPE)

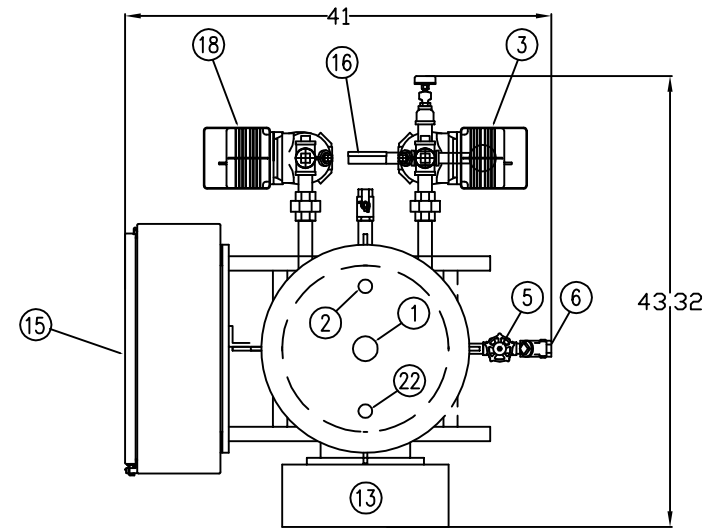
NOTES:

- 1) Boiler to be constructed per ASME Boiler and Pressure Vessel Code, Section IV, "H" stamped and National Board registered.
- 2) Boiler will comply with NEC, CSD-1 and cULus requirements
- 3) ( a ) Vessel is to be wrapped with 2" insulation  
( b ) One layer of standard 2" insulation is to be on control panel back plate and rear wall of the boiler casing

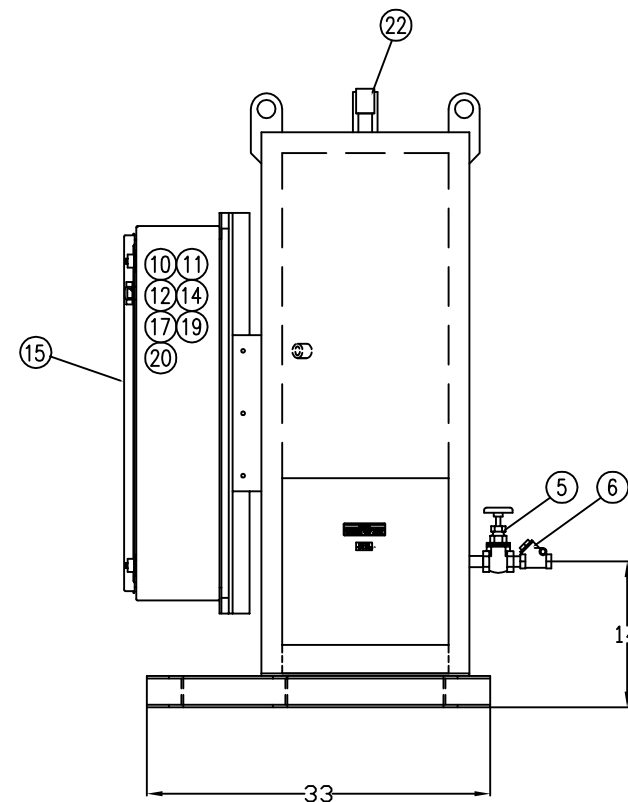
**CAUTION**

DIMENSIONS SHOWN ARE APPROXIMATE AND SHOULD NOT BE USED IN RESTRICTIVE LAYOUTS OR TO PREFABRICATE ASSEMBLIES UNLESS CLEAVER-BROOKS HAS BEEN CONSULTED. IT IS STRONGLY RECOMMENDED THAT THE CUSTOMER REQUEST AS-BUILT CERTIFIED DRAWINGS FOR THESE CASES.

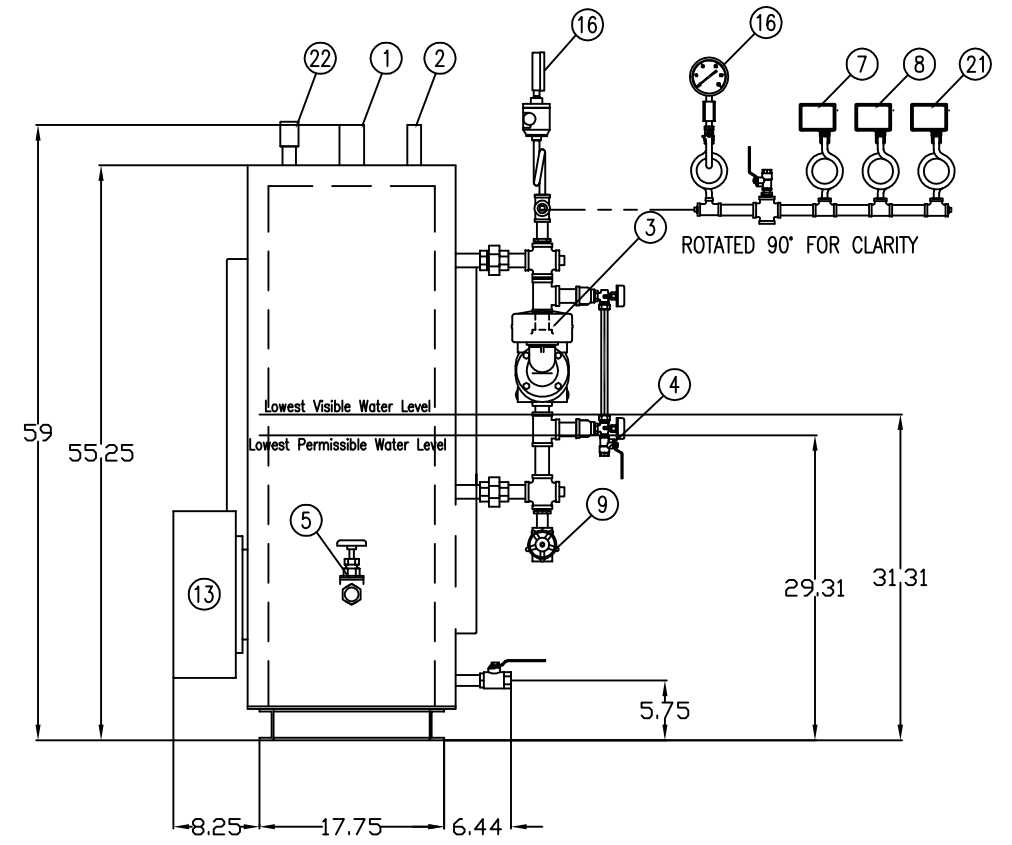
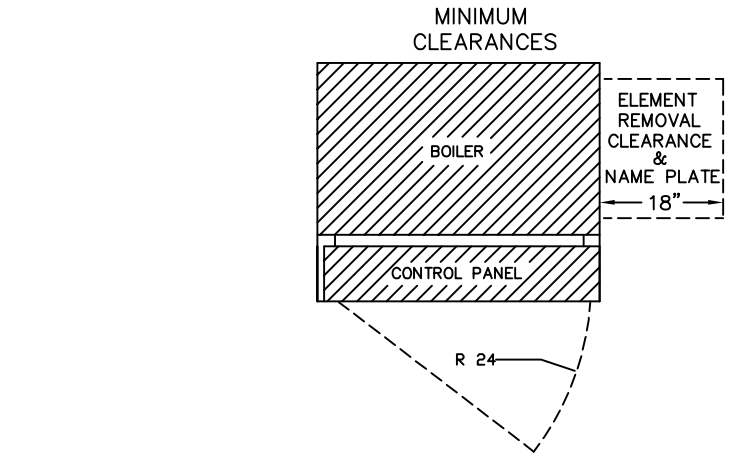
BOILER MAY BE SHOWN WITH OPTIONAL EQUIPMENT IN LUEI OF STANDARD COMPONENTS.



TOP VIEW



SIDE VIEW



SIDE VIEW

ELECTRICAL SPECIFICATIONS	
PRESSURE: DESIGN	15ST
KW	94 AT 600 / 3 / 60
ELEMENTS	12 AT 7.8 KW 78 WSI INCOLOY
RELIEF VALVE SET PRESSURE	15 PSI

SAMPLE

DIMENSIONAL DRAWING

SHT 01 OF 01

SCALE	N.T.S.
DATE	3/16/10
DRAWN	
CHECKED	EAK



S TYPE	161	94	15ST	GALLONS
600	SIZE	KW	PRESSURE	NO
VOLTS	3	60	3	INSURANCE
	PHASE	HERTZ	WIRE	

DRWG. NO. SAMPLE 00

THIS DRAWING IS PROPERTY OF CLEAVER-BROOKS, INC. IT IS SUBJECT TO CHANGE WITHOUT NOTICE, AND IS NOT TO BE COPIED OR USED IN ANY WAY DETRIMENTAL TO THE COMPANY. SUGGESTIONS AND INFORMATION CONTAINED ON THIS DRAWING ARE NOT INTENDED TO SUPPLANT LOCAL CODES.

D  
C  
B  
A