

THIS DRAWING IS PROPERTY OF CLEAVER-BROOKS, INC. IT IS SUBJECT TO CHANGE WITHOUT NOTICE, AND IS NOT TO BE COPIED OR USED IN ANY WAY DETRIMENTAL TO THE COMPANY. SUGGESTIONS AND INFORMATION CONTAINED ON THIS DRAWING ARE NOT INTENDED TO SUPPLANT LOCAL CODES.

4

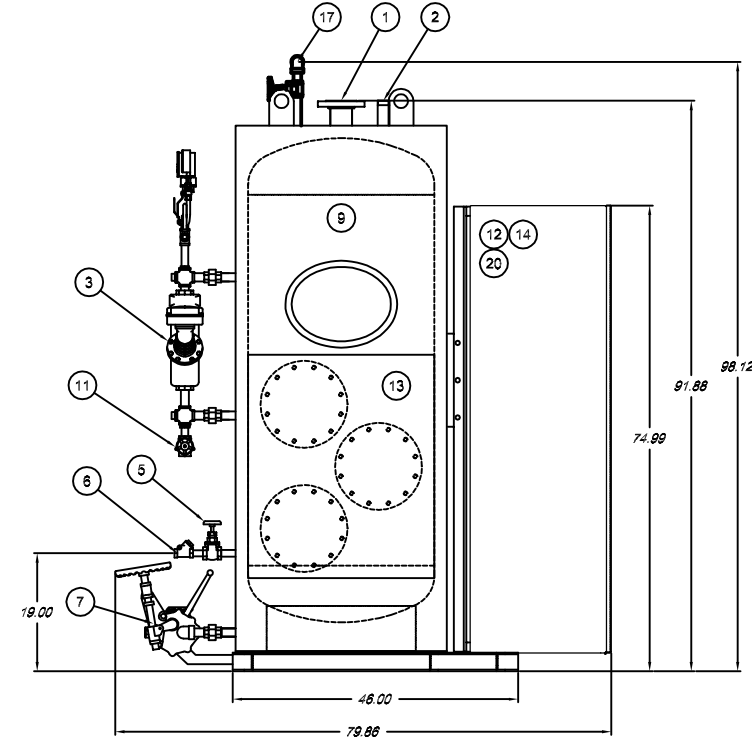
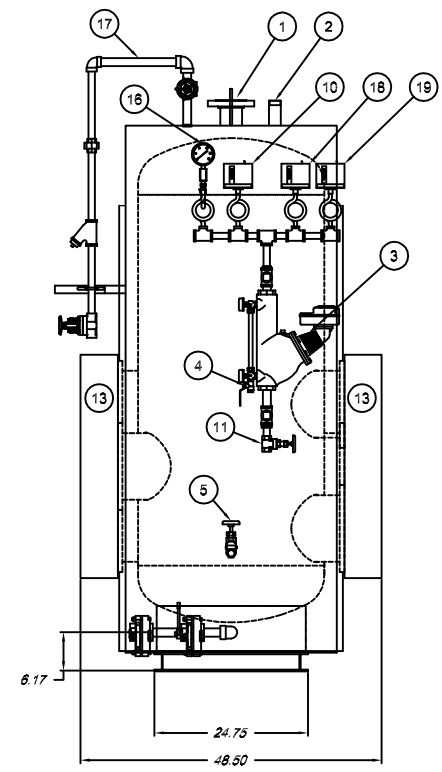
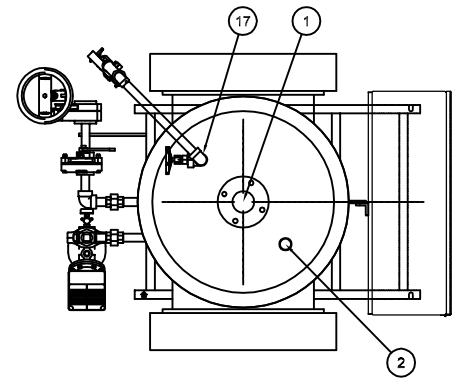
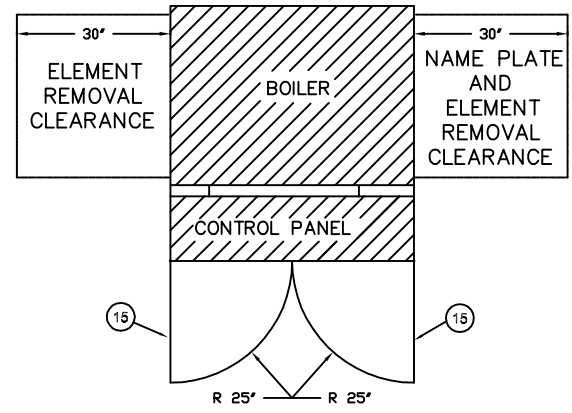
3

2

1

ITEM	DESCRIPTION/MATERIAL
1	STEAM OUTLET - 3.0" FLG 150#
2	SAFETY VALVE - 125 PSI (1-1/2" Outlet)
3	LOW WATER CUTOFF WATER COLUMN - McD&M 157
4	SIGHT GAUGE GLASS BLOWDOWN - 0.25 NPS
5	FEEDWATER - GLOBE VALVE 0.75 NPS
6	FEEDWATER - CHECK VALVE 0.75 NPS
7	SLOW BLOWDOWN DRAIN VALVE - 1.0 NPS
8	QUICK BLOWDOWN DRAIN VALVE - 1.0 NPS
9	AUX. LOW WATER CUTOFF - WARRICK PROBE
10	PRESSURE CONTROL - OPERATING
11	WATER COLUMN BLOWDOWN - 0.75 NPS
12	(7) STEPS @ 80kW, (2) STEP @ 40 kW, (1) STEP @ 60 kW
13	ELEMENT ACCESS PANEL
14	PILOT SWITCH/ POWER LIGHT/ HIGH PRESS LIGHT/LOW WATER LIGHT
15	CONTROL PANEL DOORS
16	PRESSURE GAUGE
17	SURFACE BLOWOFF SYSTEM (STRAINER, STOP, & METERING VALVE)
18	PRESSURE CONTROL - MODULATING
19	PRESSURE CONTROL - HIGH LIMIT
20	ALARM - 4" BELL WITH SILENCING SWITCH
21	--
22	--

CAUTION
 DIMENSIONS SHOWN ARE APPROXIMATE AND SHOULD NOT BE USED IN RESTRICTIVE LAYOUTS OR TO PREFABRICATE ASSEMBLIES UNLESS CLEAVER-BROOKS HAS BEEN CONSULTED. IT IS STRONGLY RECOMMENDED THAT THE CUSTOMER REQUEST AS-BUILT CERTIFIED DRAWINGS FOR THESE CASES.
 BOILER MAY BE SHOWN WITH OPTIONAL EQUIPMENT IN LUEI OF STANDARD COMPONENTS.



NOTES:

- Boiler to be constructed per ASME Boiler and Pressure Vessel Code, Section I, "S" stamped and National Board registered.
- Boiler will have a UL labeled panel
- (a) Vessel is to be wrapped with 2" insulation with sheet metal lagging
 (b) One layer of standard 2" insulation is to be on control panel back plate and rear wall of the boiler casing
- All valves to be mounted, hydro tested, & listed on applicable forms.
- Boiler meets CSD-1 requirements

REVISIONS	SPECIFICATIONS
	PRESSURE: DESIGN <u>150</u> PSI KW <u>704</u> AT <u>480</u> / <u>3</u> / <u>60</u> <u>105</u> ELEMENTS AT <u>6.7</u> KW <u>67</u> WSI INCOLOY SAFETY VALVE SET PRESSURE <u>125</u> PSI

SAMPLE	DIMENSIONAL DRAWING
	SHT 01 OF 01

SCALE N.T.S.		CleaverBrooks®				
DATE 6/8/10						
DRAWN		S 480 VOLTS	302 SIZE 3 PHASE	700 KW 60 HERTZ	150ST PRESSURE 3 WIRE	GALLONS N/A INSURANCE
SIZE		DRWG. NO. SAMPLE				00

D
C
B
A