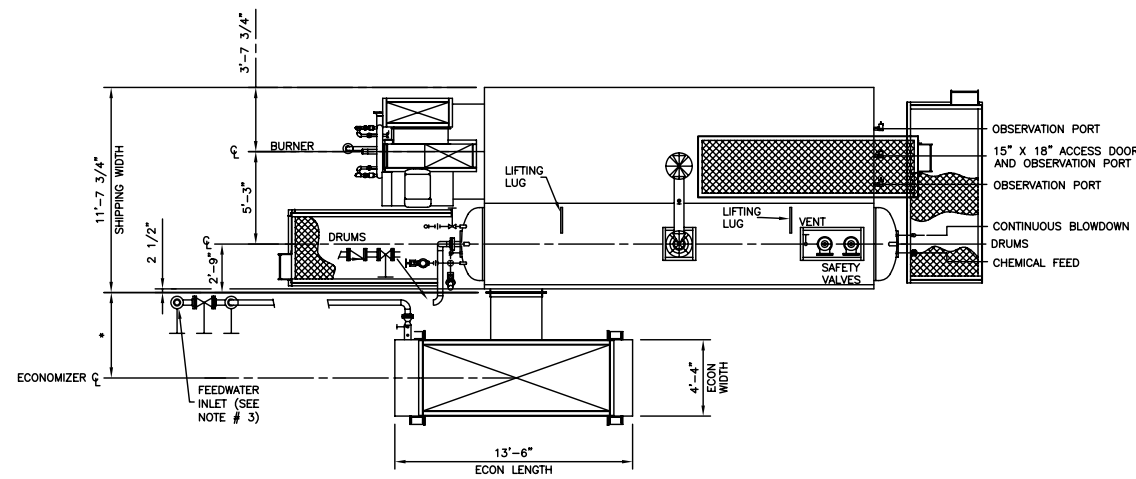


THIS DRAWING IS A PRELIMINARY LAYOUT ONLY. ALL DIMENSIONS ARE TO BE FINALIZED AFTER FORMAL PURCHASE ORDER AND COMPLETE ENGINEERING APPROVAL. CLEAVER-BROOKS PROPOSAL

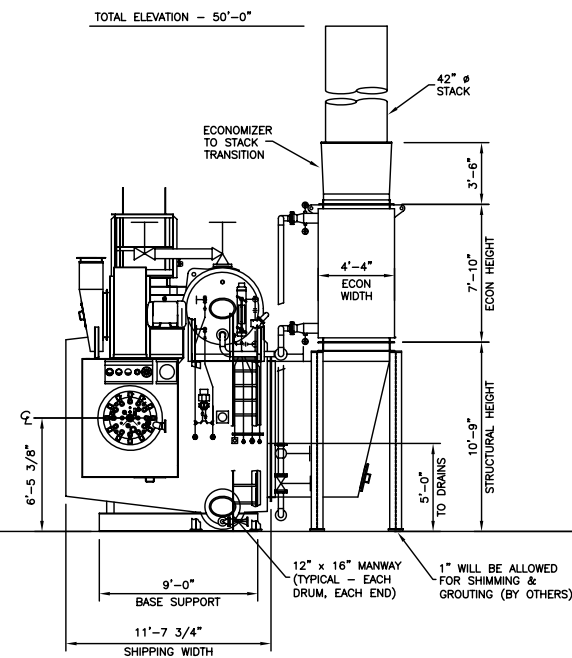
DO NOT SCALE - USE DIMENSIONS ONLY		NF/BO - NOT FURNISHED BY CLEAVER-BROOKS	
DO NOT USE FOR CONSTRUCTION			
THIS DRAWING IS THE PROPERTY OF CLEAVER-BROOKS AND IS LOANED ON CONDITION THAT IT SHALL NOT BE COPIED OR REPRODUCED IN WHOLE OR IN PART OR DISCLOSED TO ANY THIRD PARTY OR USED IN ANY WAY WITHOUT THE WRITTEN CONSENT OF CLEAVER-BROOKS. ANY EQUIPMENT OR MATERIAL SHOWN, BUT NOT FURNISHED BY CLEAVER-BROOKS IS FOR ILLUSTRATING THE APPLICATION, AND CLEAVER-BROOKS ACCEPTS NO RESPONSIBILITY AS TO INSTALLATION OR OPERATION OF SUCH EQUIPMENT OR MATERIALS.			
REV.	DATE	DESCRIPTION	DWN CKD APPR

NOTES:

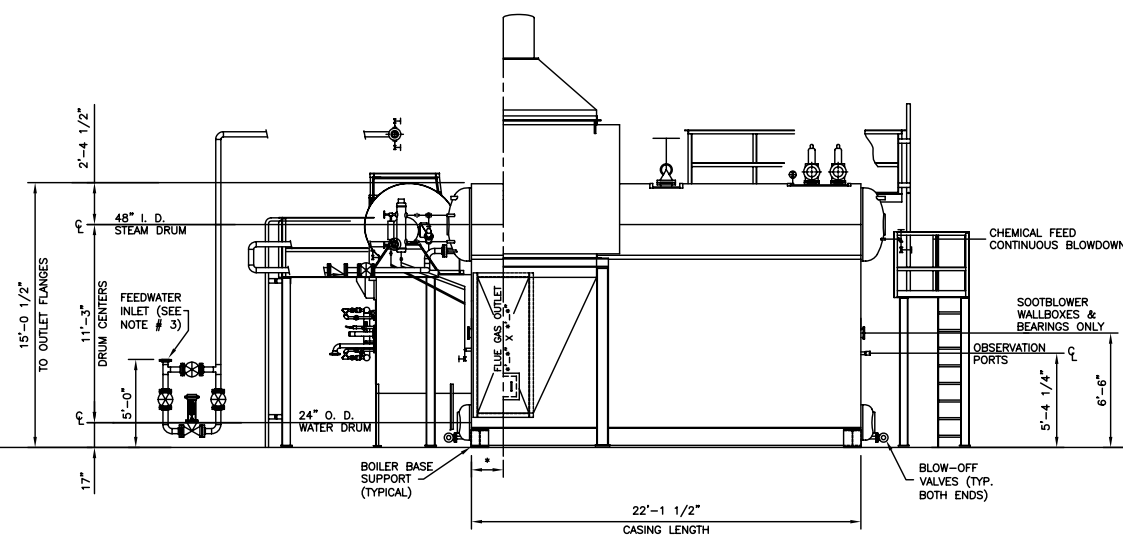
1. DRAWING IS FOR OVERALL SIZE AND ARRANGEMENT ONLY. REFER TO PROPOSAL FOR ACTUAL TRIM LIST.
2. DRAWING IS NOT TO BE USED FOR CONSTRUCTION PURPOSES.
3. FEEDWATER SIZING AND LOCATIONS OF VALVES AND PIPING IS A REPRESENTATION ONLY, AND IS USED TO SHOW AN EASILY VISIBLE PICTORIAL VIEW.
4. \* - DENOTES TO BE DETERMINED.



PLAN VIEW



BURNER END VIEW



CONVECTION SIDE VIEW

**CleaverBrooks**  
ENGINEERED BOILER SYSTEMS

NEBRASKA BOILER, CLEAVER-BROOKS, AND ENERGY RECOVERY INTERNATIONAL  
WITH NATCOM BURNER SYSTEMS

GENERAL ARRANGEMENT SERIES:  
NB-400D-65 W/ECONOMIZER (AL-HM)

LAYOUT DRAWING FOR  
80,000 LB./HR. BOILER

SCALE: NONE	DATE: APRIL 12, 2010
DRAWN BY: KENB	CHECKED:
JOB NO: PROPOSAL	PAGE NO: 1 OF 1
QTY:	DRAWING NO: NB-400D-65 2010