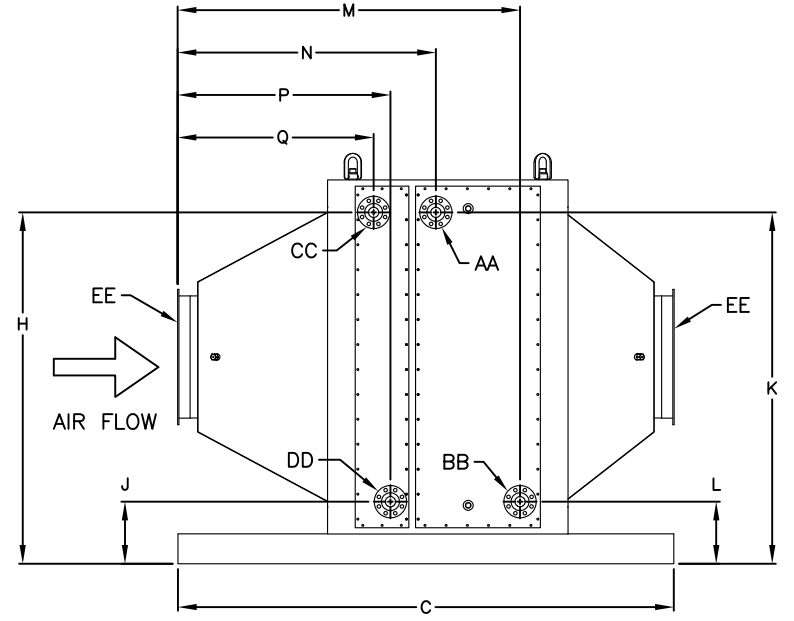
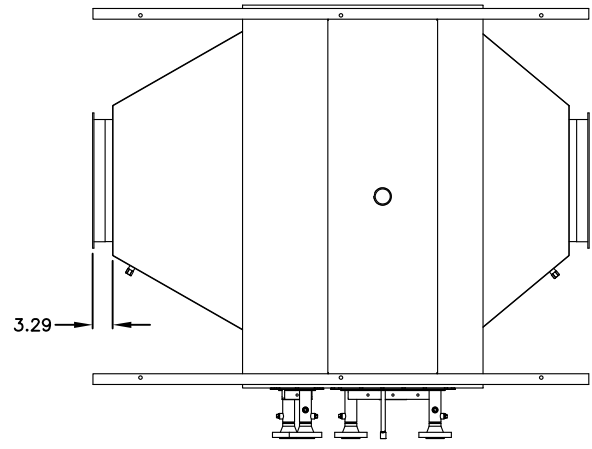
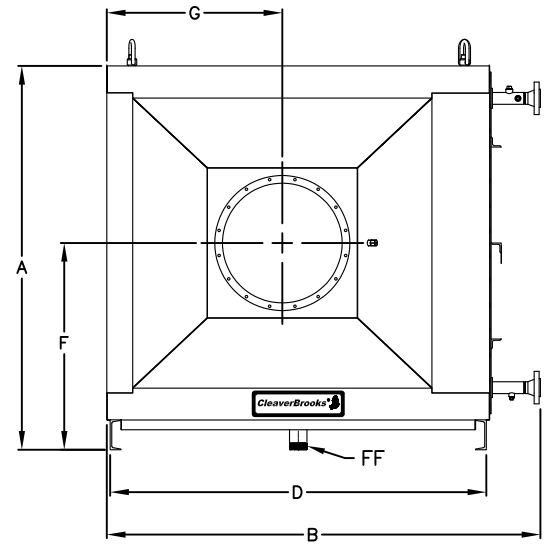
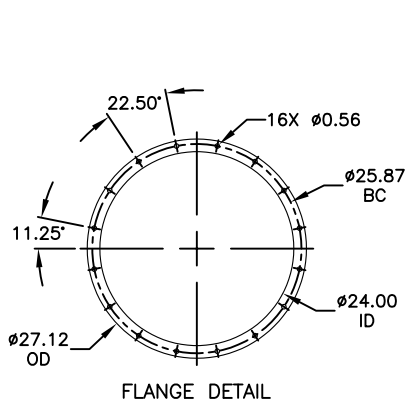


THIS DRAWING IS PROPERTY OF CLEAVER-BROOKS, INC. AND IS NOT TO BE COPIED OR USED IN ANY WAY DETRIMENTAL TO THE COMPANY.

7 | 6 | 5 | 4 | 3 | 2 | 1

ITEM	DIMENSIONS (INCHES)	400 HP	500 HP	600 HP	700 HP	800 HP
A	OVERALL HEIGHT	66.50	71.00	77.00	84.25	91.00
B	OVERALL WIDTH	70.75	74.75	85.75	93.50	98.50
C	OVERALL DEPTH	99.00	92.25	99.50	109.50	115.25
D	ECONOMIZER BOX WIDTH	66.75	67.00	77.00	84.25	85.25
F	DUCT CONNECTION FROM BOTTOM	35.75	38.00	41.50	44.50	50.00
G	DUCT CONNECTION FROM SIDE	35.50	37.50	35.25	41.50	42.00
H	FEED WATER OUTLET FROM BOTTOM	54.00	58.50	70.50	72.50	77.50
J	FEED WATER INLET FROM BOTTOM	7.00	7.00	12.50	6.75	9.00
K	MAKE-UP WATER OUTLET FROM BOTTOM	54.00	58.50	70.50	72.50	77.50
L	MAKE-UP WATER INLET FROM BOTTOM	7.00	7.00	12.50	6.75	9.00
M	MAKE-UP WATER INLET FROM FRONT	68.75	66.25	68.75	74.50	76.75
N	MAKE-UP WATER OUTLET FROM FRONT	50.50	45.50	51.75	57.75	60.50
P	FEED WATER INLET FROM FRONT	41.25	36.25	42.75	46.50	49.25
Q	FEED WATER OUTLET FROM FRONT	37.50	32.50	39.25	42.75	45.25
CONNECTIONS						
AA	MAKE-UP WATER OUTLET (300# RF FLANGE)	1-1/4"	1-1/4"	2-1/2"	1-1/2"	1-1/2"
BB	MAKE-UP WATER INLET (300 #RF FLANGE)	1-1/4"	1-1/4"	2-1/2"	1-1/2"	1-1/2"
CC	FEED WATER OUTLET (300# RF FLANGE)	1-1/4"	1-1/4"	1-1/2"	1-1/2"	1-1/2"
DD	FEED WATER INLET (300# RF FLANGE)	1-1/4"	1-1/4"	1-1/2"	1-1/2"	1-1/2"
EE	DUCT SIZE (FLANGE)	24"	24"	24"	24"	24"
FF	DRAIN (MPT)	1-1/2"	1-1/2"	1-1/2"	1-1/2"	1-1/2"
WEIGHTS & CAPACITIES						
	DRY (LBS.)	3,648	4,186	4,901	6,230	6,476
	OPERATING (LBS.)	3,944	4,563	5,351	6,788	7,105
	VOLUME (GAL.)	35.4	45.1	53.9	66.8	75.3

**NOTES:**  
 1. UNIT WILL BE FULLY PAINTED CB BLUE.  
 2. ALL LIQUID CONNECTION DIMENSIONS ARE APPROXIMATE AND MAY VARY SLIGHTLY



REVISIONS		<b>CAUTION</b> DIMENSIONS SHOWN ARE APPROXIMATE AND SHOULD NOT BE USED IN RESTRICTIVE LAYOUTS OR TO PREFABRICATE ASSEMBLIES UNLESS CLEAVER-BROOKS HAS BEEN CONSULTED. IT IS STRONGLY RECOMMENDED THAT THE CUSTOMER REQUEST AS-BUILT CERTIFIED DRAWINGS FOR THESE CASES.	<b>WARNING</b> CHANGES, MODIFICATIONS OR ALTERATIONS ARE STRICTLY PROHIBITED.  CHANGES TO THIS DRAWING AND SUBSEQUENT MODIFICATION OF EQUIPMENT COULD RESULT IN DAMAGE TO THE EQUIPMENT AND/OR SERIOUS PERSONAL INJURY.		SCALE N.T.S. DATE 07/07/17 DRAWN SLS SIZE C	<b>CleaverBrooks®</b> DIMENSION DIAGRAM, C2X-HE 400-800HP CONDENSING ECONOMIZER DRWG. NO. CE-400800-DD 00
				SHT 01 OF 01		

F  
E  
D  
C  
B  
A