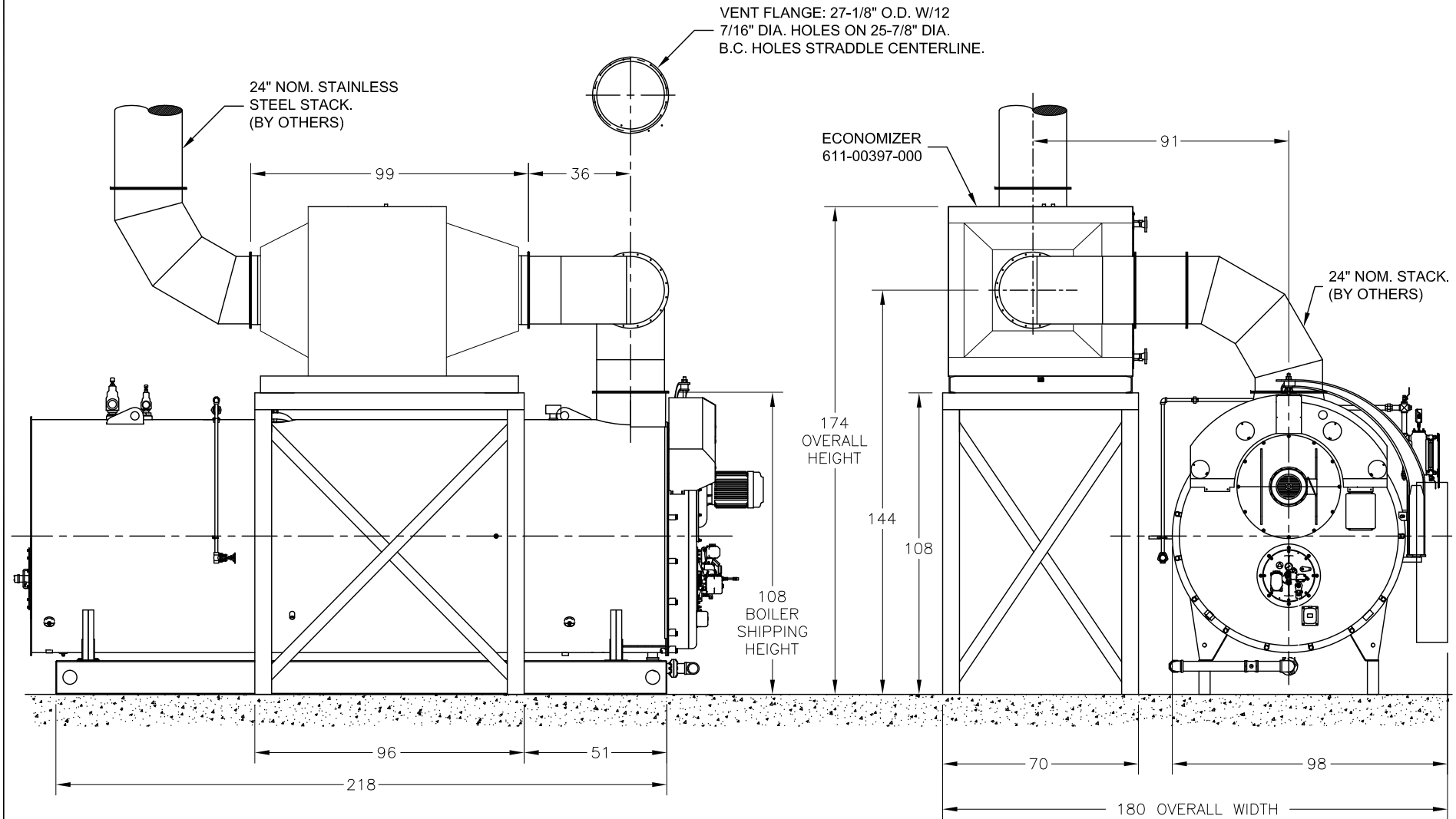


THIS DRAWING IS PROPERTY OF CLEAVER-BROOKS, INC. AND IS NOT TO BE COPIED OR USED IN ANY WAY DETRIMENTAL TO THE COMPANY. IT IS SUBJECT TO CHANGE WITHOUT NOTICE.



REVISIONS	

	SCALE N.T.S.
	DATE 08/18/15
	DRAWN SLS
	SIZE C
SHT 01 OF 01	

CleaverBrooks®	
GENERAL ARRANGEMENT	
400HP CBEX-E & C2X-HE ECON	
DRWG. NO. EX-400-GA	00

F
E
D
C
B
A