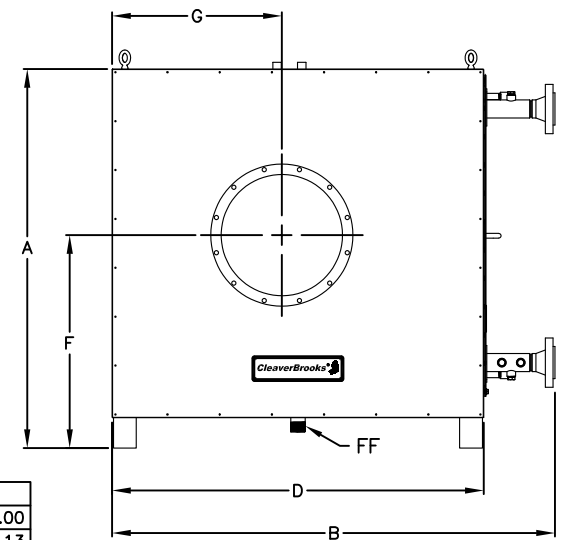
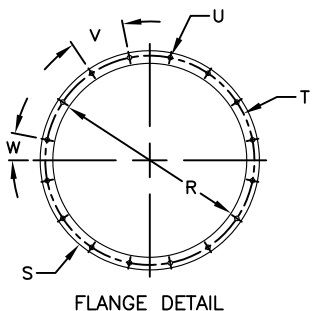


IT IS SUBJECT TO CHANGE WITHOUT NOTICE, AND IS NOT TO BE COPIED OR USED IN ANY WAY DETRIMENTAL TO THE COMPANY.

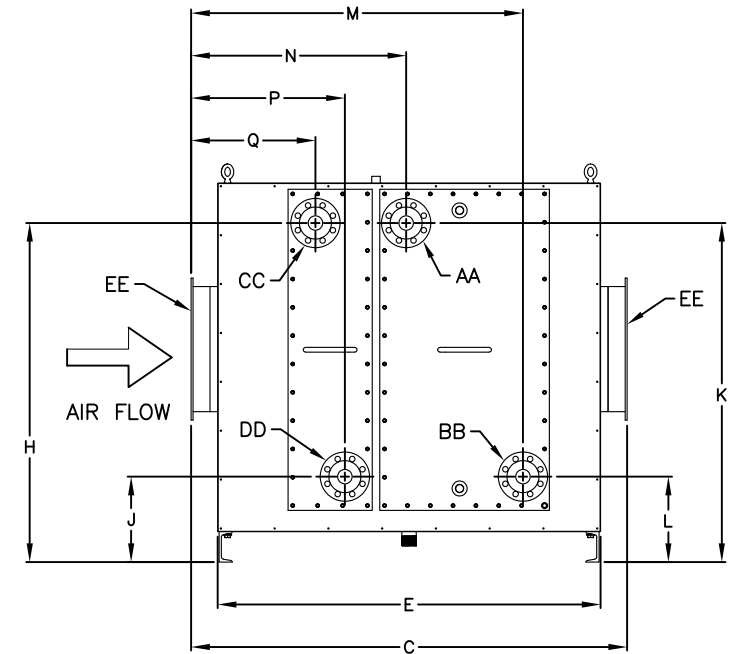
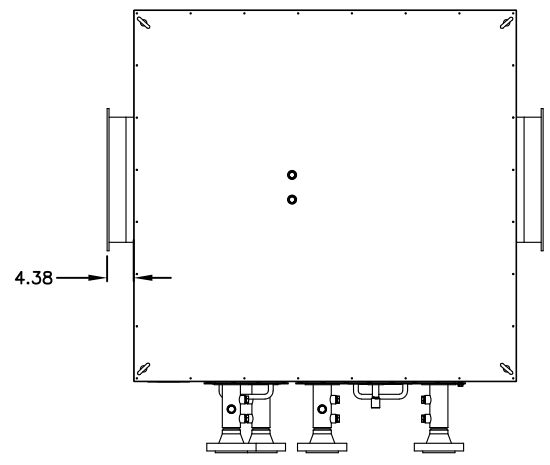
7 | 6 | 5 | 4 | 3 | 2 | 1

ITEM	DIMENSIONS (INCHES)	100 HP	125 HP	150 HP	200 HP	250 HP	300 HP	350 HP
A	OVERALL HEIGHT	34.50	39.00	42.25	50.00	50.00	56.00	59.00
B	OVERALL WIDTH	41.75	45.00	51.00	58.50	58.00	60.00	68.00
C	OVERALL DEPTH	45.00	45.00	45.00	57.50	57.50	71.50	79.50
D	ECONOMIZER BOX WIDTH	39.75	42.75	48.75	49.00	48.00	57.00	63.00
E	ECONOMIZER BOX DEPTH	37.00	37.00	37.00	50.50	50.50	64.50	70.50
F	DUCT CONNECTION FROM BOTTOM	19.50	21.50	23.00	28.00	27.00	31.00	32.50
G	DUCT CONNECTION FROM SIDE	20.00	21.50	24.50	22.50	22.50	25.75	28.75
H	FEED WATER OUTLET FROM BOTTOM	29.00	34.50	31.50	44.75	43.75	50.75	53.75
J	FEED WATER INLET FROM BOTTOM	30.75	16.00	14.50	11.25	10.25	11.25	11.25
K	MAKE-UP WATER OUTLET FROM BOTTOM	30.00	27.00	31.50	44.75	43.75	50.75	53.75
L	MAKE-UP WATER INLET FROM BOTTOM	14.50	16.75	14.50	11.25	10.25	11.25	11.25
M	MAKE-UP WATER INLET FROM FRONT	35.50	34.25	34.00	43.75	44.00	54.75	60.50
N	MAKE-UP WATER OUTLET FROM FRONT	18.50	18.50	19.75	28.50	28.25	34.00	39.50
P	FEED WATER INLET FROM FRONT	13.50	13.50	14.75	20.50	20.50	26.50	31.75
Q	FEED WATER OUTLET FROM FRONT	9.50	9.50	10.75	16.50	16.50	22.50	28.00
CONNECTIONS								
AA	MAKE-UP WATER OUTLET (300# RF FLANGE)	3/4"	3/4"	3/4"	2"	2"	1"	1-1/2"
BB	MAKE-UP WATER INLET (300 #RF FLANGE)	3/4"	3/4"	3/4"	2"	2"	1"	1-1/2"
CC	FEED WATER OUTLET (300# RF FLANGE)	3/4"	3/4"	3/4"	2"	2"	1"	1-1/2"
DD	FEED WATER INLET (300# RF FLANGE)	3/4"	3/4"	3/4"	2"	2"	1"	1-1/2"
EE	DUCT SIZE (FLANGE)	16"	16"	16"	16"	20"	20"	24"
FF	DRAIN (MPT)	1-1/2"	1-1/2"	1-1/2"	1-1/2"	1-1/2"	1-1/2"	1-1/2"
WEIGHTS & CAPACITIES								
	DRY (LBS.)	945	1,090	1,295	1,845	2,155	2,615	3,235
	OPERATING (LBS.)	1,025	1,175	1,400	1,975	2,315	2,840	3,515
	VOLUME (GAL.)	9.20	10.10	12.70	16.00	19.00	26.70	33.60

**NOTES:**  
 1. UNIT WILL BE FULLY PAINTED CB BLUE.  
 2. ALL LIQUID CONNECTION DIMENSIONS ARE APPROXIMATE AND MAY VARY SLIGHTLY



ITEM	FLANGE DIMENSIONS (INCHES)	16	20	24
R	INSIDE DIAMETER	16.00	20.00	24.00
S	OUTSIDE DIAMETER	18.75	23.13	27.13
T	BOLT CIRCLE DIAMETER	17.88	22.00	25.88
U	NUMBER OF #0.56 HOLES	12	12	16
V	ANGLE FROM CENTER (DEGREES)	15.00	15.00	11.25
W	ANGLE HOLE TO HOLE (DEGREES)	30.00	30.00	22.50



REVISIONS		<b>CAUTION</b>	<b>WARNING</b>		SCALE N.T.S.	<b>CleverBrooks®</b>		
		DIMENSIONS SHOWN ARE APPROXIMATE AND SHOULD NOT BE USED IN RESTRICTIVE LAYOUTS OR TO PREFABRICATE ASSEMBLIES UNLESS CLEVER-BROOKS HAS BEEN CONSULTED. IT IS STRONGLY RECOMMENDED THAT THE CUSTOMER REQUEST AS-BUILT CERTIFIED DRAWINGS FOR THESE CASES.	CHANGES, MODIFICATIONS OR ALTERATIONS ARE STRICTLY PROHIBITED.	CHANGES TO THIS DRAWING AND SUBSEQUENT MODIFICATION OF EQUIPMENT COULD RESULT IN DAMAGE TO THE EQUIPMENT AND/OR SERIOUS PERSONAL INJURY.	DATE 07/07/17		DRAWN SLS	DIMENSION DIAGRAM, C2X-HE
		SHT 01 OF 01	SIZE C	DRWG. NO. CE-100350-DD 00				